



Re.sia.

**GENERAL
CATALOGUE**

PVC profiles for the construction industry

For more than 30 years, we have been an example of artisanal production that has been important for the local economy, but also for the construction industry. As we see a change in the industry requests, now more than ever specific and professional, we undertook a renovation plan, with a consequent modernisation of the headquarters and the workshops, to better answer the necessities of our clients.

Our endeavours brought us to expand the range of products, with the result of increasing the supply quantities and reducing the production and shipping times.

In this perspective, which still guides us, we will strive to make ourselves better, in order to offer a service up to the expectation of an ever-changing market. We want to deserve your trust, becoming a reliable partner of your business.



Re.sia.

PVC profiles for the construction industry

The material used for the production of the profiles is flexible PVC, made exception for rubber and linoleum welding rods.

Expanded rigid PVC profiles are not produced by us.

Welding rods

We produce welding rods for PVC, LINOLEUM and RUBBER floors.

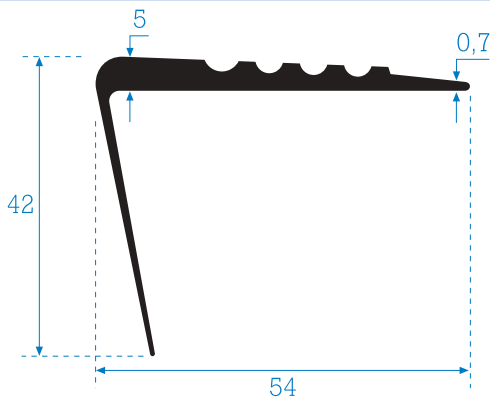
The three different types of rod are ready for delivery in all 48 colours of our chart, with a 4 mm diameter.

Upon order, we can produce all three types of rods from a **colour sample, up to a 5 mm diameter.**

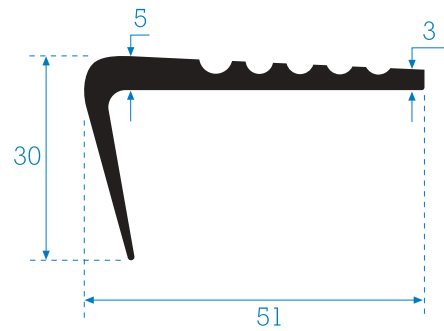


Stair nosing and corner profiles

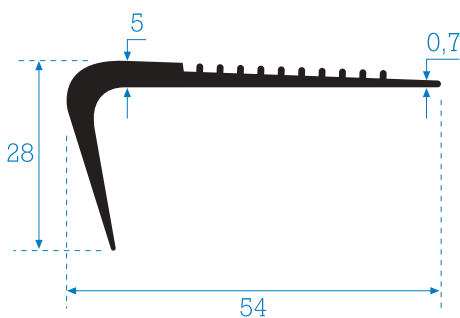
art. **TN**



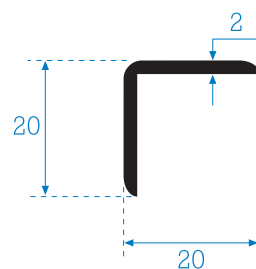
art. **TS**



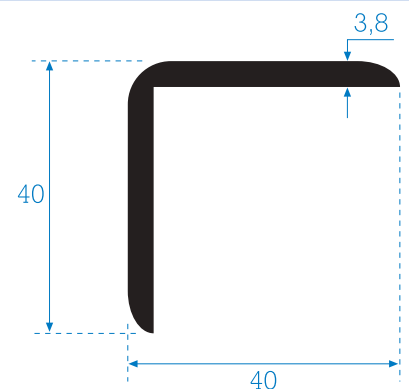
art. **TP**



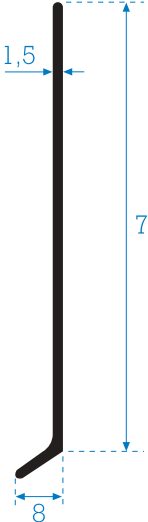

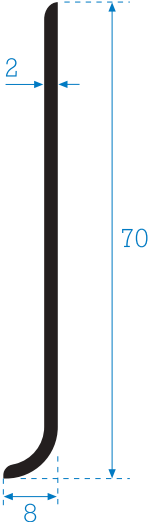
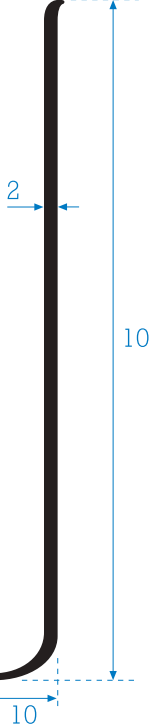
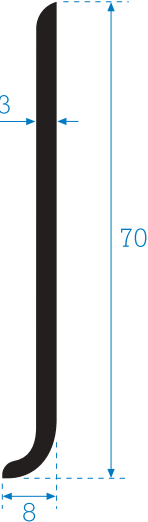
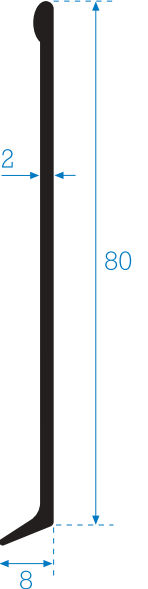
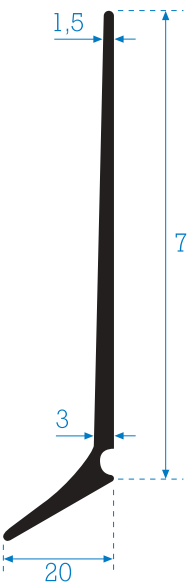
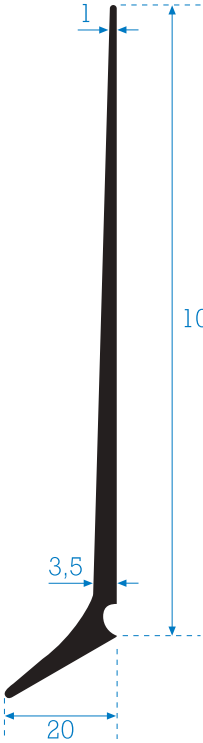

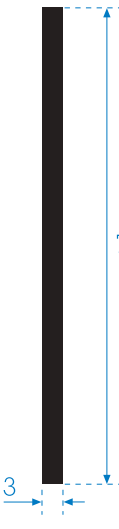

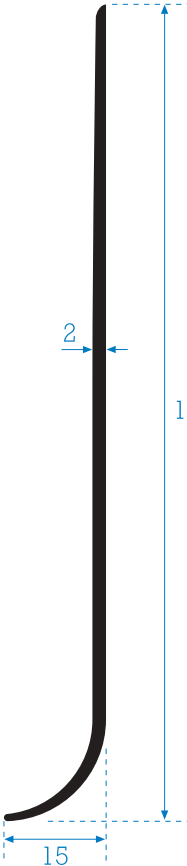
art. **ANG/P**



art. **ANG/G**



Skirting boards

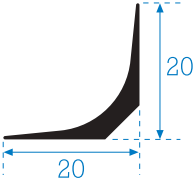
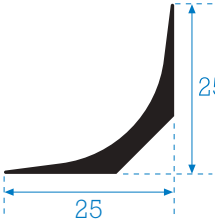
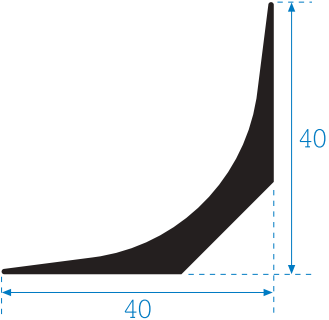
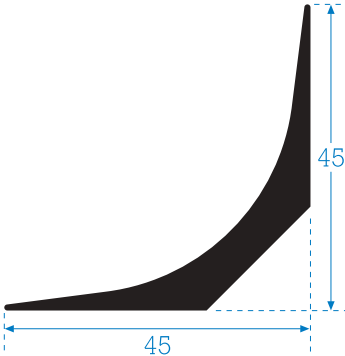
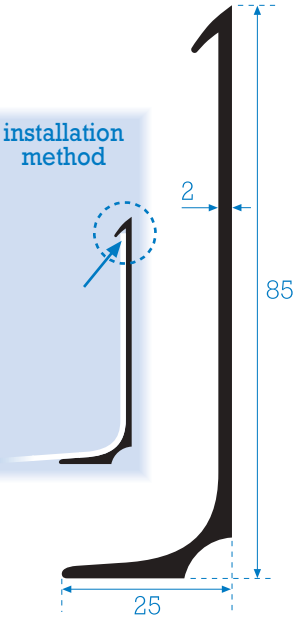
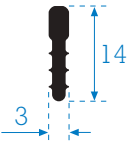
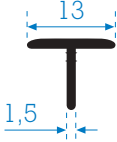
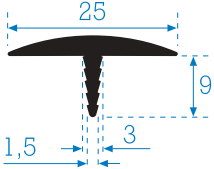

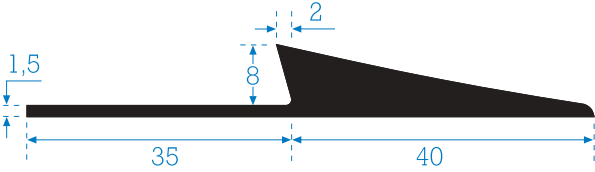

art. 75/L	art. P14	art. B73	art. P18	art. 70/3	art. 80/2
 <p>1,5 70 8</p>	 <p>1,5 100 7</p>	 <p>2 70 8</p>	 <p>2 100 10</p>	 <p>3 70 8</p>	 <p>2 80 8</p>
art. P15	art. P24	art. P10	art. P11	art. P12	art. P19
 <p>1,5 70 20 3</p>	 <p>1 100 20 3,5</p>	 <p>55 2</p>	 <p>70 3</p>	 <p>100 2</p>	 <p>2 120 15</p>

Weldable skirting boards

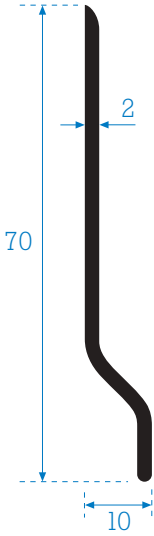
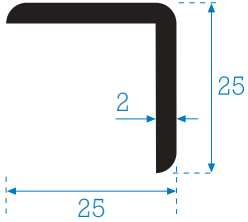
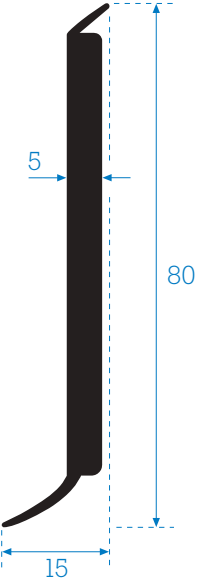
art. P20	art. P21	art. P13	art. P16	art. P22	art. P26

Finishing profiles

Special profiles

<p>art. G20</p> 	<p>art. G25</p> 	<p>art. G40</p> 	<p>art. G45</p> 	
<p>art. P23</p> 	<p>art. R3</p> 	<p>art. R8</p> 	<p>art. R10</p> 	<p>art. P25</p> 
<p>art. T9</p> 				

Rigid profiles

<p>art. ZR</p> 	<p>art. ANG/R</p> 	<p>art. ZR80</p> 
---	--	---

Articles and their availability

ready for delivery
in all 48 colours
of our chart

ready for delivery
in the colours:
middle grey,
brown and black

ready for delivery
only in black

available upon order
in the colours: white,
ivory, light grey,
middle grey, brown,
black (minimum
order quantity)

available upon
request from your
colour sample
(minimum order
quantity)

available upon
order only
(minimum order
quantity)

available upon
order only, in the
colours shown
on the website

ready for delivery
in the colours:
white, light grey,
middle grey
and black

WELDING RODS

FOR PVC	•				•			
FOR LINOLEUM	•				•			
FOR RUBBER	•				•			

STAIR NOSING AND CORNER PROFILES

TN		•		•	•			
TS		•		•	•			
TP						•		
ANG/P		•		•	•			
ANG/G		•		•	•			

SKIRTING BOARDS

75/L		•		•	•			
P14		•		•	•			
B73		•		•	•			
80/2		•		•	•			
P18		•		•	•			
70/3		•		•	•			
P15		•		•	•			
P24		•		•	•			
P10						•		
P11						•		
P12						•		
P19						•		

WELDABLE SKIRTING BOARDS

P13		•		•	•			
P16		•		•	•			
P20		•		•	•			
P21		•		•	•			
P22						•		
P26						•		

FINISHING PROFILES

T2		•		•	•			
T3		•		•	•			
T6						•		
T4						•		
T7		•		•	•			
R9				•	•			
T5		•		•	•			
R5		•		•	•			
R1						•		
R6		•		•	•			
R2		•		•	•			
R4/40						•		
R4/45						•		
R4/50						•		

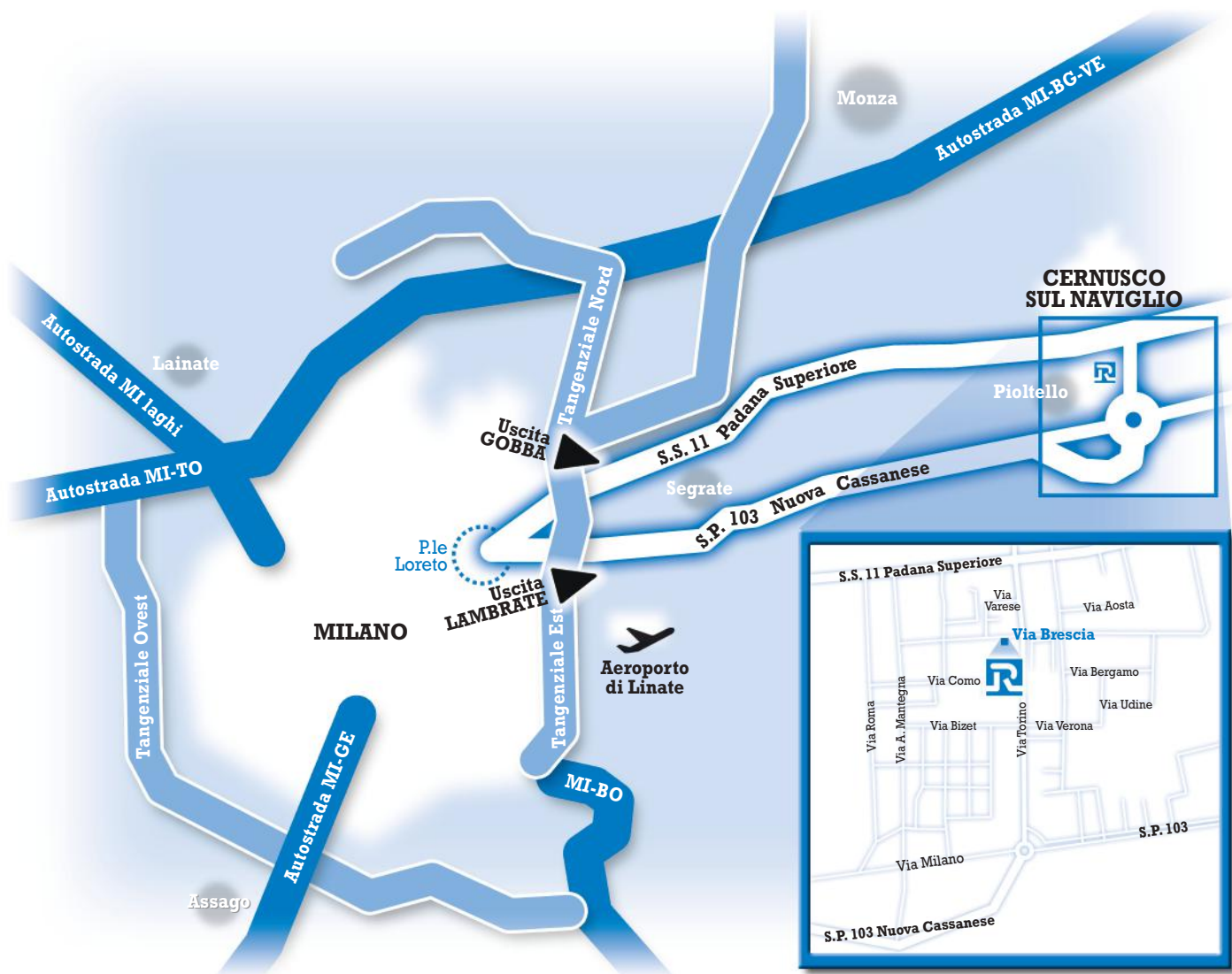
SPECIAL PROFILES

G20			•	•	•			
G25			•	•	•			
G40						•		
G45						•		
P25			•	•	•			
R3						•		
R8						•		
R10						•		
T9						•		
P23						•		

RIGID PROFILES

ZR							•	
ANG/R							•	
ZR80								•

Where we are and how to find us



Re.s.i.a.

Re.s.i.a. Srl

Via Brescia, 24 - 20063 Cernusco s/n (MI) ITALY ■ phone (+39) 02 92100098 ■ fax (+39) 02 92471720
www.resiapvc.it ■ info@resiapvc.it