



**Re.sia.**

**GENERAL  
CATALOGUE**

PVC profiles for the construction industry

For more than 30 years, we have been an example of artisanal production that has been important for the local economy, but also for the construction industry. As we see a change in the industry requests, now more than ever specific and professional, we undertook a renovation plan, with a consequent modernisation of the headquarters and the workshops, to better answer the necessities of our clients.

Our endeavours brought us to expand the range of products, with the result of increasing the supply quantities and reducing the production and shipping times.

In this perspective, which still guides us, we will strive to make ourselves better, in order to offer a service up to the expectation of an ever-changing market. We want to deserve your trust, becoming a reliable partner of your business.



**Re.sia.**

**PVC profiles for the construction industry**

---

**The material used for the production of the profiles is flexible PVC, made exception for rubber and linoleum welding rods.**

**Expanded rigid PVC profiles are not produced by us.**

## Welding rods

**We produce welding rods for PVC, LINOLEUM and RUBBER floors.**

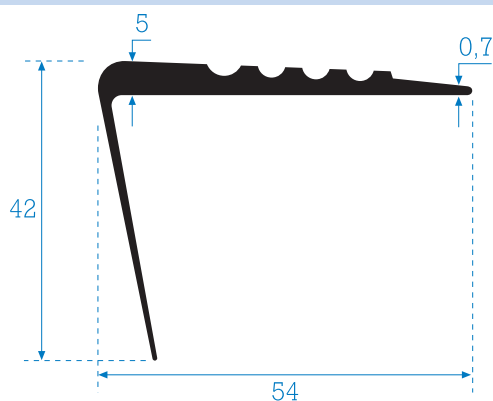
The three different types of rod are ready for delivery in all 48 colours of our chart, with a 4 mm diameter.

Upon order, we can produce all three types of rods from a **colour sample, up to a 5 mm diameter.**

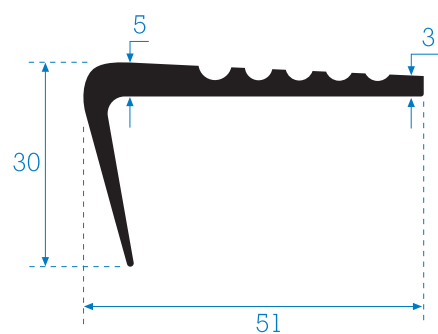


## Stair nosing and corner profiles

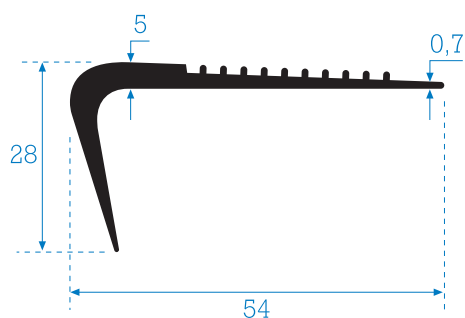
art. **TN**



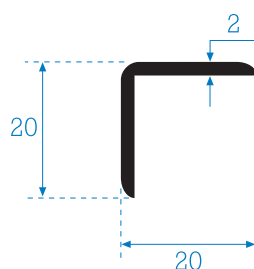
art. **TS**



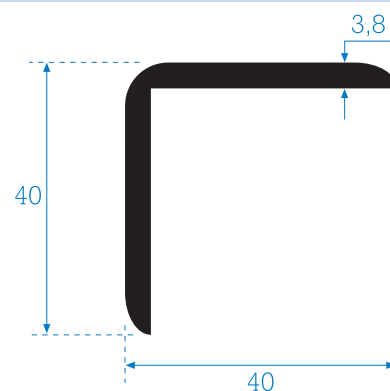
art. **TP**



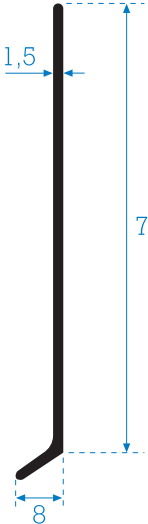
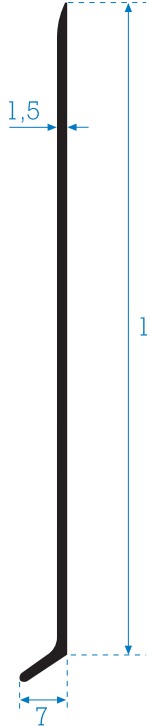
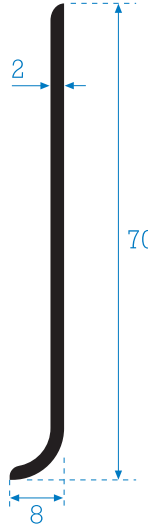
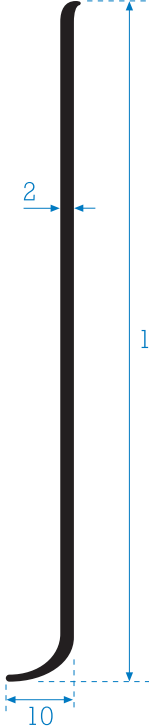
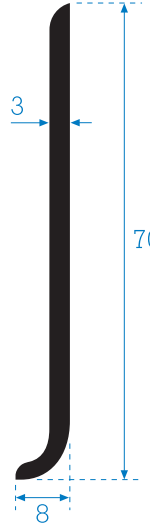
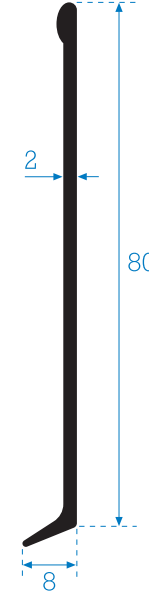

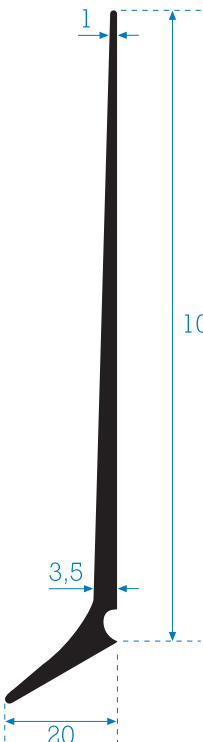

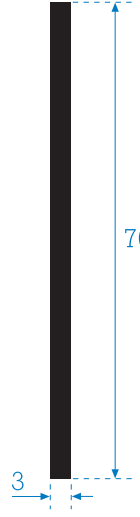

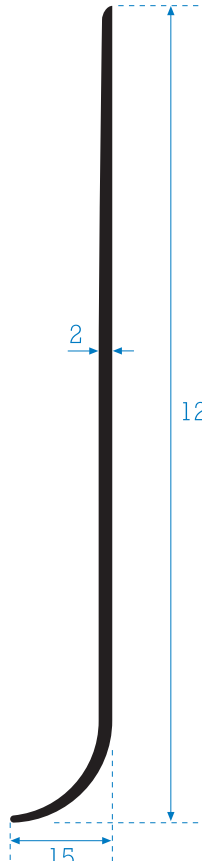
art. **ANG/P**



art. **ANG/G**



# Skirting boards

art. <b>75/L</b>	art. <b>P14</b>	art. <b>B73</b>	art. <b>P18</b>	art. <b>70/3</b>	art. <b>80/2</b>
 <p>1,5 70 8</p>	 <p>1,5 100 7</p>	 <p>2 70 8</p>	 <p>2 100 10</p>	 <p>3 70 8</p>	 <p>2 80 8</p>
art. <b>P15</b>	art. <b>P24</b>	art. <b>P10</b>	art. <b>P11</b>	art. <b>P12</b>	art. <b>P19</b>
 <p>1,5 70 3 20</p>	 <p>1 100 3,5 20</p>	 <p>55 2</p>	 <p>70 3</p>	 <p>2 100</p>	 <p>2 120 15</p>

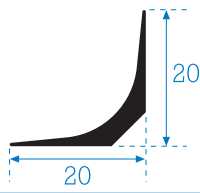
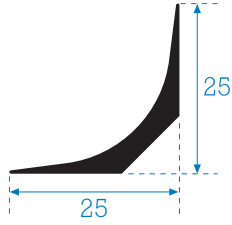
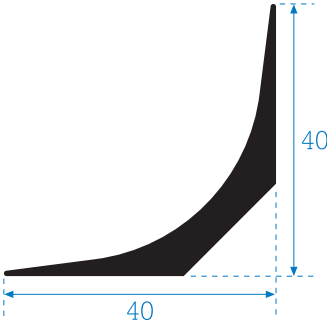
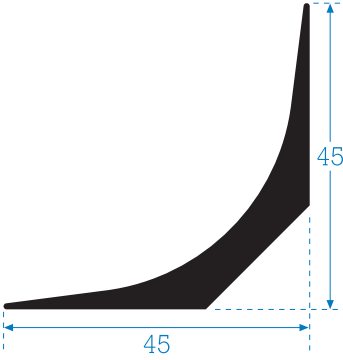
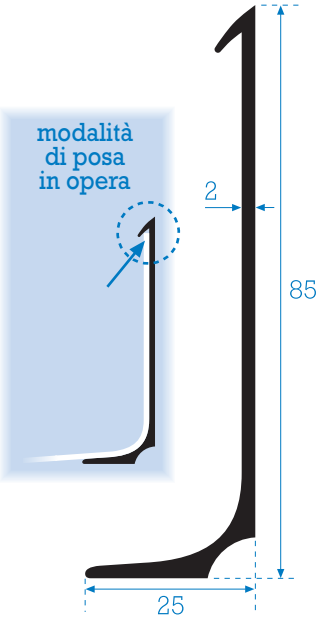
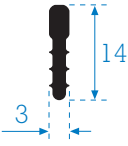
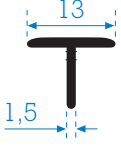
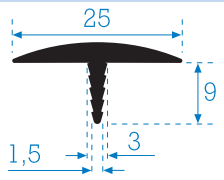
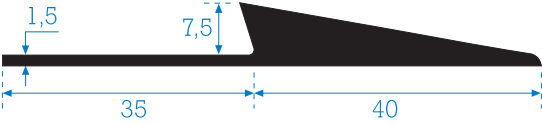
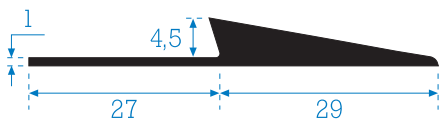
## Weldable skirting boards

art. <b>P20</b>	art. <b>P21</b>	art. <b>P13</b>	art. <b>P16</b>	art. <b>P22</b>	art. <b>P26</b>

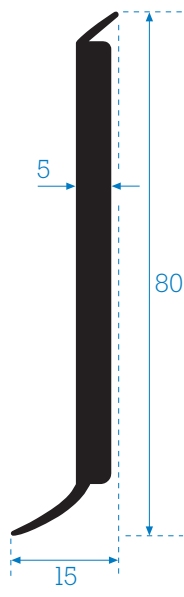
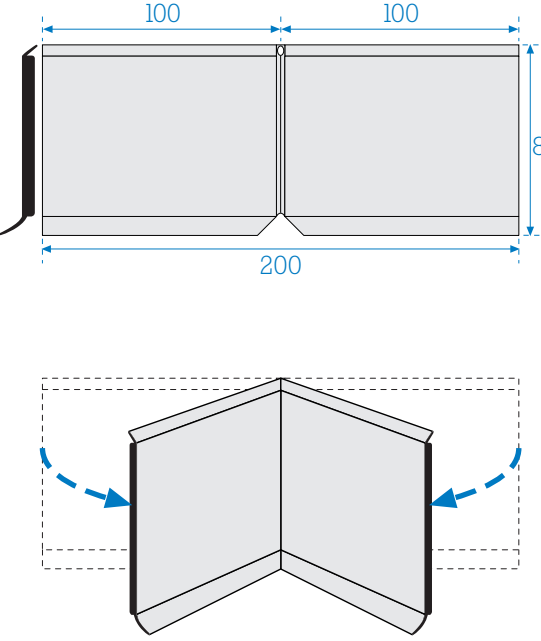
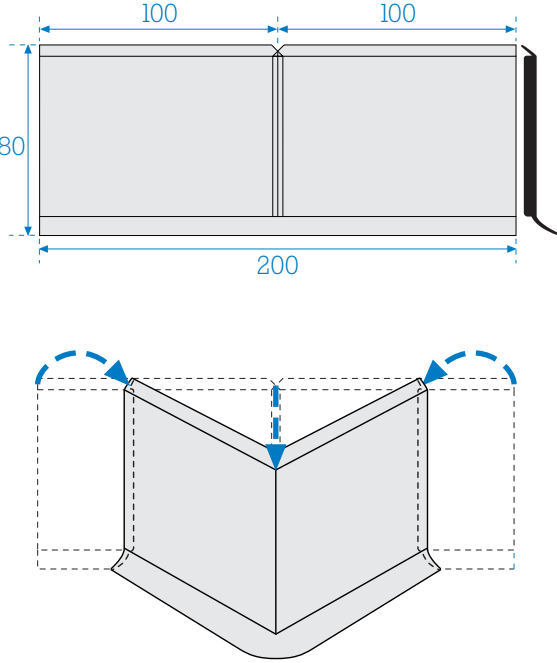
## Finishing profiles

art. <b>T2</b>	art. <b>T3</b>	art. <b>T6</b>	art. <b>T4</b>	art. <b>T7</b>
art. <b>R9</b>		art. <b>T5</b>	art. <b>R5</b>	art. <b>R1</b>
art. <b>R6</b>	art. <b>R2</b>	art. <b>R4/40</b>	art. <b>R4/45</b>	art. <b>R4/50</b>

## Special profiles

<p>art. <b>G20</b></p> 	<p>art. <b>G25</b></p> 	<p>art. <b>G40</b></p> 	<p>art. <b>G45</b></p> 
<p>art. <b>P23</b></p>  <p>modalità di posa in opera</p>	<p>art. <b>R3</b></p> 	<p>art. <b>R8</b></p> 	<p>art. <b>R10</b></p> 
<p>art. <b>T9</b></p> 		<p>art. <b>T9/56</b></p> 	

## Rigid profiles

<p>art. <b>ZR80</b></p> 	<p>art. <b>ZR80/INT</b></p> 	<p>art. <b>ZR80/EST</b></p> 
---	---	--

# Articles and their availability

ready for delivery  
in all 48 colours  
of our chart

ready for delivery  
in the colours:  
middle grey,  
brown and black

ready for delivery  
only in black

available upon order  
in the colours: white,  
ivory, light grey,  
middle grey, brown  
and black (minimum  
order quantity)

available upon  
request from your  
colour sample  
(minimum order  
quantity)

available upon  
order only (minimum  
order quantity)

ready for delivery  
in the colours:  
white, light grey,  
middle grey,  
black, beige, blue  
and green

## WELDING RODS

FOR PVC	•				•		
FOR LINOLEUM	•				•		
FOR RUBBER	•				•		

## STAIR NOSING AND CORNERS PROFILES

TN		•		•	•		
TS		•		•	•		
TP						•	
ANG/P		•		•	•		
ANG/G		•		•	•		

## SKIRTING BOARDS

75/L		•		•	•		
P14		•		•	•		
B73		•		•	•		
P18		•		•	•		
70/3		•		•	•		
80/2		•		•	•		
P15		•		•	•		
P24		•		•	•		
P10						•	
P11						•	
P12						•	
P19						•	

## WELDABLE SKIRTING BOARDS

P20		•		•	•		
P21		•		•	•		
P13						•	
P16						•	
P22						•	
P26						•	

## FINISHING PROFILES

T2		•		•	•		
T3		•		•	•		
T6						•	
T4						•	
T7						•	
R9						•	
T5						•	
R5						•	
R1						•	
R6		•		•	•		
R2		•		•	•		
R4/40						•	
R4/45						•	
R4/50						•	

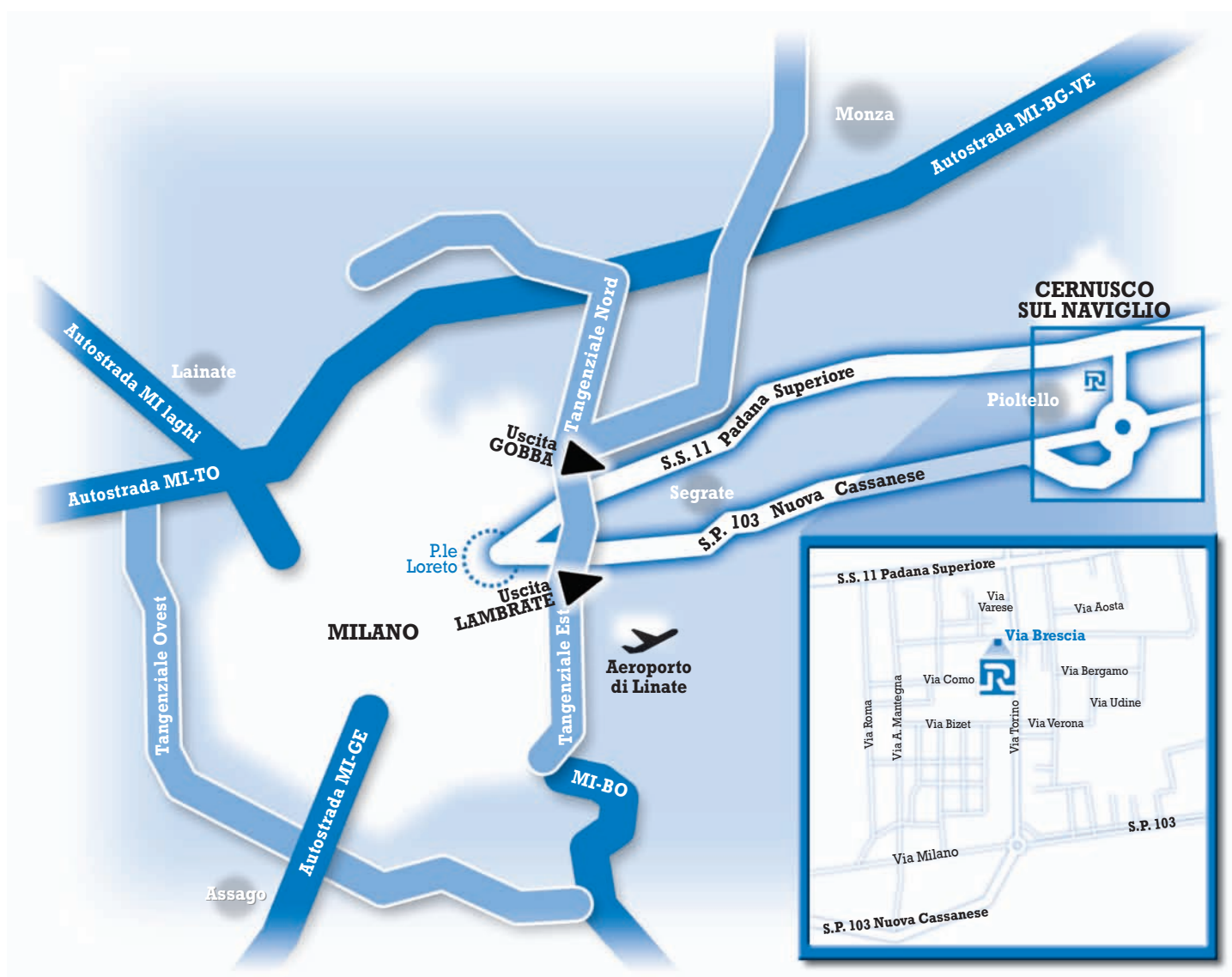
## SPECIAL PROFILES

G20			•	•	•		
G25			•	•	•		
G40						•	
G45						•	
P23						•	
R3						•	
R8						•	
R10						•	
T9						•	
T9/56						•	

## RIGID PROFILES

ZR80							•
ZR80/INT							•
ZR80/EST							•

# Where we are and how to find us



**Re.s.i.a.**

**Re.s.i.a. Srl**

Via Brescia, 24 - 20063 Cernusco s/n (MI) ITALY ■ phone (+39) 02 92100098 ■ fax (+39) 02 92471720  
www.resiapvc.it ■ [info@resiapvc.it](mailto:info@resiapvc.it)